



GAI-TRONICS®  
A HUBBELL COMPANY

# Model 238-002 Stainless Steel Surface-Mount Call Box Enclosure

---

## Confidentiality Notice

This manual is provided solely as an operational, installation, and maintenance guide and contains sensitive business and technical information which is confidential and proprietary to GAI-Tronics. GAI-Tronics retains all intellectual property and other rights in or to the information contained herein, and such information may only be used in connection with the operation of your GAI-Tronics product or system. This manual may not be disclosed in any form, in whole or in part, directly or indirectly, to any third party.

## General Information

The Model 238-002 Stainless Steel Surface-Mount Call Box Enclosure is designed to house a GAI-Tronics CB195 series Flush-mount RF Call Box. The following components are supplied with the Model 238-002 Enclosure:



<u>Qty</u>	<u>Description</u>
2	Conduit seals
2	Hole gaskets
8	#6-32 keps nuts
2	#8-32 keps nuts
4	Rubber washers

## Installation

### Safety Guidelines

Please refer to the guidelines presented in the RF call box manual, Pub. 43004-031, to ensure the safety of all personnel when installing GAI-Tronics' call box equipment.

### Mounting

 **NOTE**  GAI-Tronics flush-mount call boxes are equipped with a metal back box that is not required and *should be removed* prior to installing the call box in the 238-002 Enclosure.

1. Cables can enter the enclosure through the access holes in either the back or bottom of the unit. Hole caps are provided to seal the holes that are not used. The Model 238-002 is provided with two hole caps installed in the bottom of the enclosure. If the entry is from the back of the unit, install two gaskets (provided) to seal around the holes. If conduit entrance is desired into the bottom of the unit, remove the hole caps from the bottom two holes and install them in the two holes located on the back of the enclosure.

- Mount the enclosure on a flat wall surface using the four 0.312-inch diameter holes as shown in Figure 1. Four rubber washers are provided to ensure weather-tight sealing.  
**NOTE:** Mounting hardware is not provided.

- Use sealed conduit fitting.

## Specifications

Construction..... Type 304 stainless steel, 0.063-inch thickness  
 Finish ..... Brushed and passivated  
 Mounting..... Four 5/16-inch (0.312) diameter mounting holes in mounting bosses  
 Dimensions ..... 12.13 H × 10.18 W × 3.06 D inches (308 × 259 × 77.7 mm) maximum  
 Shipping weight ..... 5.0 lbs. maximum

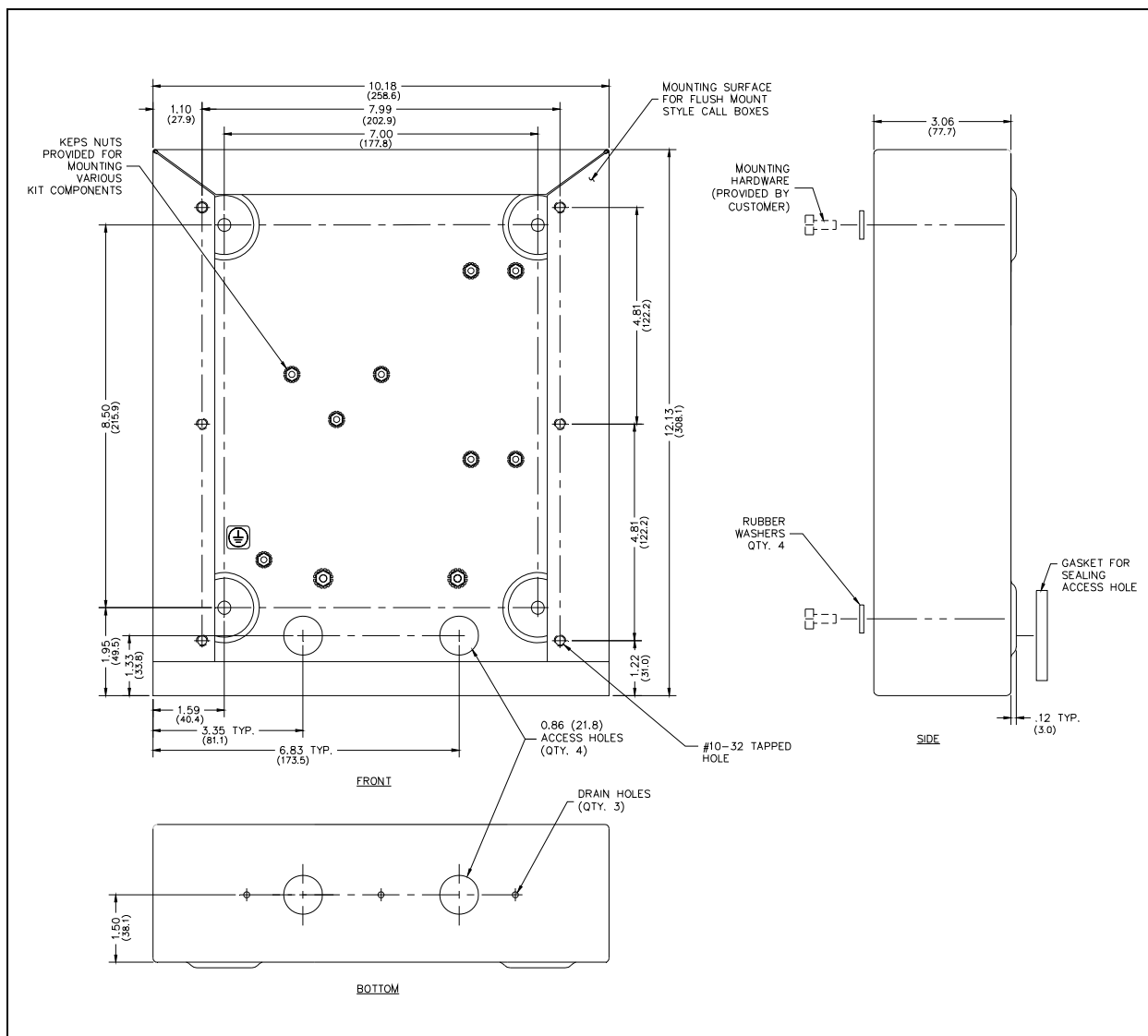


Figure 1. Model 238-002 Surface-Mount Enclosure Outline

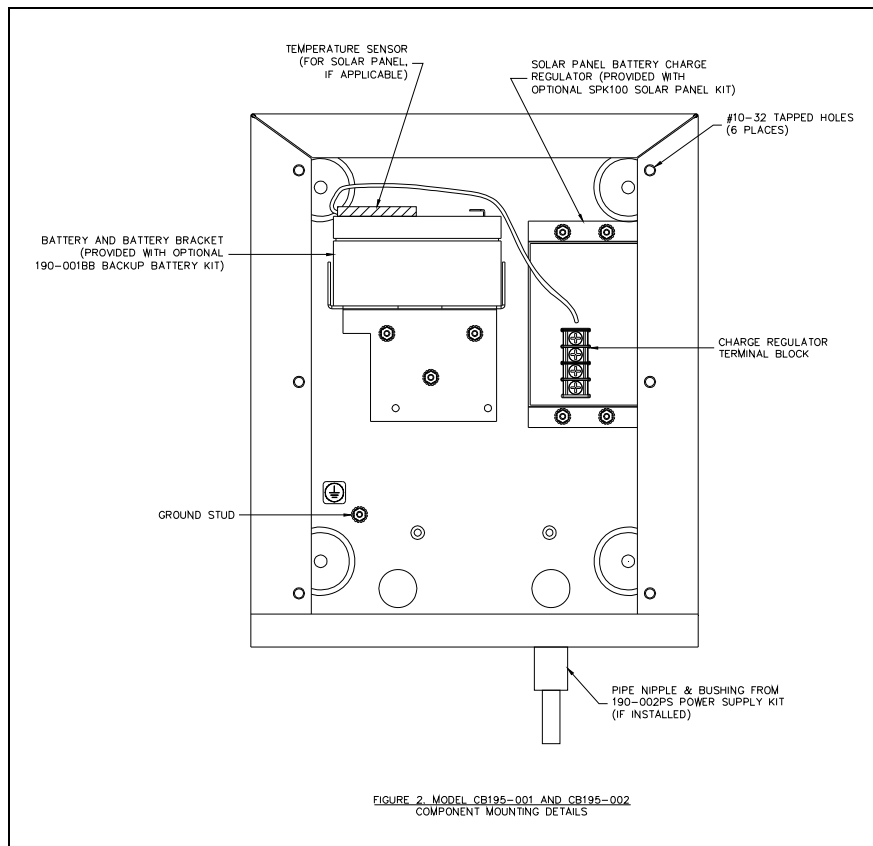


Figure 2. Model CB195-001 and CB195-002 Component Mounting Details

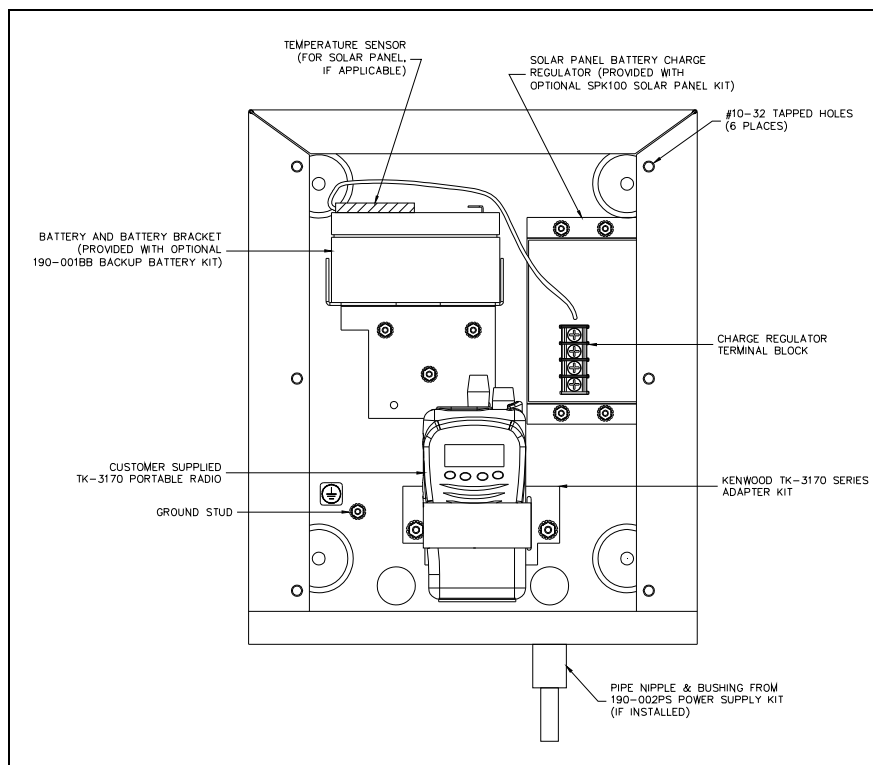


Figure 3. Model CB195-003 Component Mounting Details

Table 1. Accessories

Accessories	
231-001	Pole Mounting Kit
190-001BB	Battery Back-up Kit*
190-002PS	Weatherproof 15 V DC Power Supply Kit*
190-3170K	Kenwood TK-3170 Series Adapter Kit*
SPK100	Solar Panel Kit*

\*Refer to the associated kit manual for wiring details.

# Warranty

---

Equipment. GAI-Tronics warrants for a period of one (1) year from the date of shipment, that any GAI-Tronics equipment supplied hereunder shall be free of defects in material and workmanship, shall comply with the then-current product specifications and product literature, and if applicable, shall be fit for the purpose specified in the agreed-upon quotation or proposal document. If (a) Seller's goods prove to be defective in workmanship and/or material under normal and proper usage, or unfit for the purpose specified and agreed upon, and (b) Buyer's claim is made within the warranty period set forth above, Buyer may return such goods to GAI-Tronics' nearest depot repair facility, freight prepaid, at which time they will be repaired or replaced, at Seller's option, without charge to Buyer. Repair or replacement shall be Buyer's sole and exclusive remedy. The warranty period on any repaired or replacement equipment shall be the greater of the ninety (90) day repair warranty or one (1) year from the date the original equipment was shipped. In no event shall GAI-Tronics warranty obligations with respect to equipment exceed 100% of the total cost of the equipment supplied hereunder. Buyer may also be entitled to the manufacturer's warranty on any third-party goods supplied by GAI-Tronics hereunder. The applicability of any such third-party warranty will be determined by GAI-Tronics.

Services. Any services GAI-Tronics provides hereunder, whether directly or through subcontractors, shall be performed in accordance with the standard of care with which such services are normally provided in the industry. If the services fail to meet the applicable industry standard, GAI-Tronics will re-perform such services at no cost to buyer to correct said deficiency to Company's satisfaction provided any and all issues are identified prior to the demobilization of the Contractor's personnel from the work site. Re-performance of services shall be Buyer's sole and exclusive remedy, and in no event shall GAI-Tronics warranty obligations with respect to services exceed 100% of the total cost of the services provided hereunder.

Warranty Periods. Every claim by Buyer alleging a defect in the goods and/or services provided hereunder shall be deemed waived unless such claim is made in writing within the applicable warranty periods as set forth above. Provided, however, that if the defect complained of is latent and not discoverable within the above warranty periods, every claim arising on account of such latent defect shall be deemed waived unless it is made in writing within a reasonable time after such latent defect is or should have been discovered by Buyer.

Limitations / Exclusions. The warranties herein shall not apply to, and GAI-Tronics shall not be responsible for, any damage to the goods or failure of the services supplied hereunder, to the extent caused by Buyer's neglect, failure to follow operational and maintenance procedures provided with the equipment, or the use of technicians not specifically authorized by GAI-Tronics to maintain or service the equipment. **THE WARRANTIES AND REMEDIES CONTAINED HEREIN ARE IN LIEU OF AND EXCLUDE ALL OTHER WARRANTIES AND REMEDIES, WHETHER EXPRESS OR IMPLIED BY OPERATION OF LAW OR OTHERWISE, INCLUDING ANY WARRANTIES OF MERCHANTABILITY OR FITNESS FOR A PARTICULAR PURPOSE.**

## Return Policy

---

If the equipment requires service, contact your Regional Service Center for a return authorization number (RA#). Equipment should be shipped prepaid to GAI-Tronics with a return authorization number and a purchase order number. If the equipment is under warranty, repairs or a replacement will be made in accordance with the warranty policy set forth above. Please include a written explanation of all defects to assist our technicians in their troubleshooting efforts.

Call 800-492-1212 (inside the USA) or 610-777-1374 (outside the USA) for help identifying the Regional Service Center closest to you.